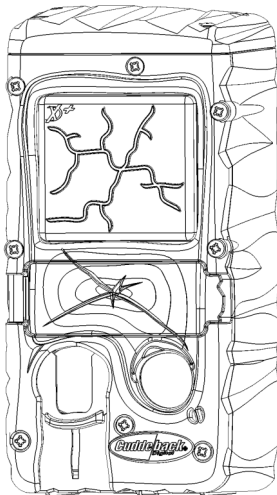




## G Series Camera Manual Number 7.0.0

**FREE 2 YEAR EXTENDED WARRANTY**

See page 13 for details



## **READ THIS MANUAL**

---

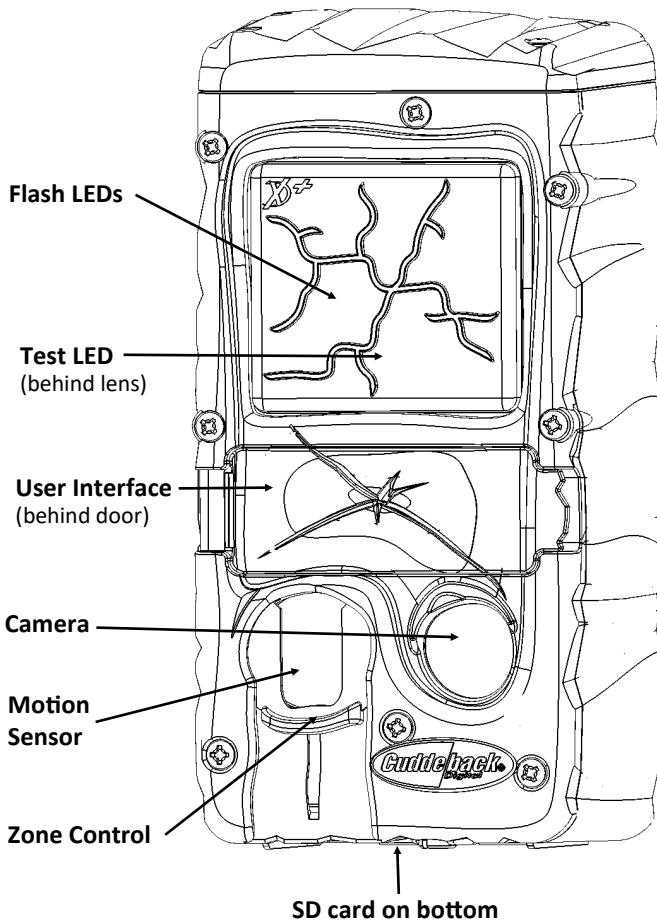
This manual explains the camera hardware. Refer to the Advanced User Interface Manual for instructions to program and deploy the camera.

## Design Highlights

---

This Cuddeback camera has been designed for reliability.

- User Interface is weather resistant and covered with a sealing door. This resilient rubber/plastic door is more robust than a conventional hinge door.
- The SD card fits into a socket in the bottom of the camera to prevent water from entering the camera when you check your camera in the rain.
- The SD card socket is not spring loaded. We believe pull-out style sockets are more reliable.
- The battery door and SD card door are secured with brass thumb screws instead of breakable latches.
- The motion sensor's Fresnel lens is user replaceable.
- The Genius mount is inexpensive and replaceable. If abused by a person or animal, the bracket will break before the camera, potentially saving your camera from damage.



## SD Card

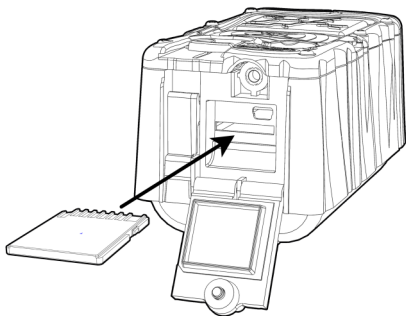
---

This Cuddeback camera is compatible with SD cards sizes 2GB to 32GB. Do not use SDXC cards. Micro SD cards will function with the proper adapter (usually included with the micro SD card). Treat your SD cards nice. They are very sophisticated electronic devices made with billions of static sensitive transistors. Keep them dry and do not bend them.

*WARNING – Never insert a wet or damp SD card into your camera or computer.*

Insert the SD card into the camera label side down. Do not force the card. If it does not go in easily check to make sure you are inserting it correctly. **You will break the card socket if you force the card.**

*Insert SD card with  
label facing down*



## SD Card Tip

---

The SD Card reader on this camera is not spring loaded. We believe a pull out SD socket is more reliable. You can make your SD card easier to access by placing electrical tape on the SD card, as shown below, to create a pull tab.



## Internal Memory

---

You can use this camera without an SD card. Up to 120 MB of internal memory is available for image storage - videos and time lapse images cannot be stored to internal memory. Images stored in internal memory will automatically be copied to an SD card when a card is inserted. This feature is handy if you check a camera without a spare SD card. You can remove the SD card and take it home, yet still leave the camera a-field. When you return, all you need to do is install the SD card & ARM the camera to transfer images from internal memory to the SD card.

## Battery Notice

---

Remove batteries when the camera is not going to be used for an extended period of time. Failure to follow these guidelines may result in battery leakage which will damage your camera.

- Never mix old and new batteries.
- Never mix different types of batteries.
- Never mix lithium and alkaline batteries.
- Replace all batteries at the same time.
- Always remove batteries when the camera is not going to be used for a period of time.
- Dispose of batteries properly as recommended by the battery manufacturer.
- Never expose skin or eyes to battery acid. Refer to battery manufacturer's precautions.
- This camera can use alkaline D batteries.

**DC INPUT.** This camera has a battery input connector. Only use CuddePower battery packs or cables. Maximum input voltage is 9 volts DC.

**DO NOT ATTACH CAMERA TO A 12 VOLT BATTERY!**

## Install Batteries

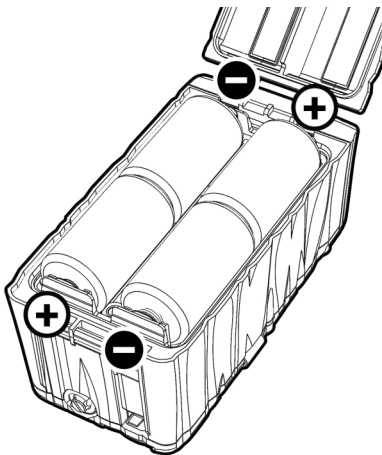
---

Install batteries by loosening the 2 battery door thumb screws and opening the battery door. Insert 4 D batteries as shown then secure the battery door with the thumb screws. Tighten fully but do not overtighten.

**Make sure to observe the correct polarity. Batteries can explode, leak acid, or ignite if inserted incorrectly.**

We recommend Rayovac, Duracell, or Energizer brand batteries only. (Choose batteries carefully – there is a difference, especially in cold temperatures).

*This camera will not operate with rechargeable batteries. The battery voltage is too low.*



## Zone Control

---

This camera is equipped with Cuddeback's patented Zone Control. The motion sensor can be set to detect animals in a wide angle or a narrow view.

**Wide view** will capture more animals but is more susceptible to triggering by non-target animals (such as birds) which can lead to blank images and can result in images of the nose or tail of the animal.

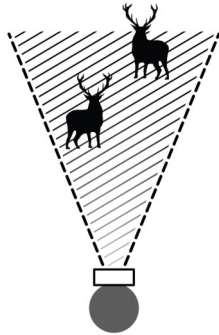
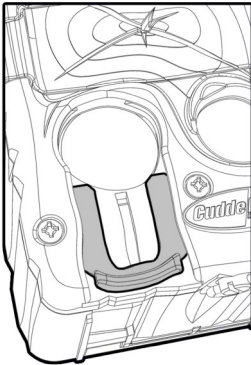
**Narrow view** is very accurate and generates images with the animals centered in the image but will not capture images to the side of the camera.

Slide the Zone Control shutter to the appropriate position by placing your thumb as shown in the next diagrams (be careful not to damage the Fresnel lens).

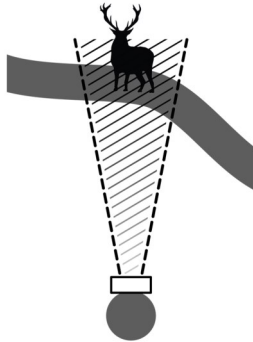
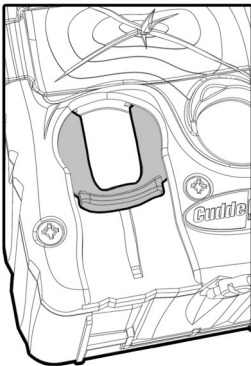
**Important:** When changing the Zone Control shutter position we recommend you also change the ZONE setting as explained in the [User Interface Manual](#).

Set the ZONE setting to WIDE if the Zone Control Shutter is down. Set to CENTERED if the Zone Control Shutter is up.





*Push the Zone Control shutter down for wide detection.*



*Push the Zone Control shutter up for centered detection.*

## **LIMITED WARRANTY FOR THIS CUDEBACK CAMERA**

**1. Limited Warranty.** Non Typical, Inc. (“Non Typical”) warrants the Product to be free from malfunctions and defects in both materials and workmanship for the period of the warranty (“Warranty Period”). Non Typical will repair or replace, at its option, the Product if it fails to function properly during the Warranty Period, subject to the conditions and/or limitations stated herein. Such repair or replacement is your sole and exclusive remedies under this Limited Warranty.

**2. Limitations.** Limited Warranty service will not be provided unless the Product is returned in the manner set forth below.

**3. Warranty Period.** The Warranty Period shall commence on the date of the product’s purchase and shall expire on either: (a) the 1st annual anniversary of the Product’s Activation Date\*; or (b) the 181st Run Day of the Product, whichever comes first.

### **This Limited Warranty does not cover the following:**

- a. Any defect in or damage to the Product that occurs due to mishandling of the Product;
- b. Any defect in or damage to the Product that occurs due to repair, modification, or other similar

activity performed by anyone other than Non Typical;

- c. Any defect in or damage to the Product that occurs due to transport, dropping, shock, or other similar activity after your purchase of the Product;
- d. Any defect in or damage to the Product that occurs due to careless or improper storage, or improper use or maintenance of the Product;
- e. Any defect in or damage to the Product that occurs due to exhausted batteries;
- f. Any defect in or damage to the Product that occurs due to sand, mud, or other foreign objects entering the inside of the Product; or
- g. Any defect in or damage to the Product related to accident, misuse, abuse, use with incompatible accessories or attachments, your failure to follow proper operating instructions provided by Non Typical, claims made after the duration of the Warranty Period, or your failure to follow the instructions set forth below with respect to return of the Product to Non Typical.

ALL OTHER EXPRESS AND IMPLIED WARRANTIES FOR

THE PRODUCT, INCLUDING THE IMPLIED WARRANTIES OF MERCHANTABILITY AND FITNESS FOR A PARTICULAR PURPOSE ARE HEREBY DISCLAIMED. NON TYPICAL EXPRESSLY DISCLAIMS ALL WARRANTIES NOT STATED IN THIS WARRANTY. ANY IMPLIED WARRANTIES THAT MAY BE IMPOSED BY LAW ARE LIMITED IN DURATION TO THE TERMS OF THIS EXPRESS LIMITED WARRANTY. SOME JURISDICTIONS DO NOT ALLOW THE EXCLUSION OF IMPLIED WARRANTIES OR LIMITATIONS ON HOW LONG AN IMPLIED WARRANTY LASTS, SO THE ABOVE EXCLUSIONS OR LIMITATIONS MAY NOT APPLY TO YOU. IN NO EVENT WILL NON TYPICAL BE LIABLE TO YOU, OR ANY THIRD PARTY, FOR ANY DAMAGES IN EXCESS OF THE PURCHASE PRICE OF THE PRODUCT. IN ADDITION, NON TYPICAL SHALL IN NO EVENT BE LIABLE TO YOU, OR ANY THIRD PARTY, FOR ANY DIRECT OR INDIRECT DAMAGES OR OTHER SPECIAL, INCIDENTAL, EXEMPLARY OR CONSEQUENTIAL DAMAGES ARISING OUT OF THE USE OF OR INABILITY TO USE THE PRODUCT. SOME JURISDICTIONS DO NOT ALLOW THE EXCLUSION OR LIMITATION OF INCIDENTAL OR CONSEQUENTIAL DAMAGES FOR SOME PRODUCTS, SO THE EXCLUSIONS OR LIMITATIONS MAY NOT APPLY TO YOU. THIS LIMITED

WARRANTY GIVES YOU SPECIFIC LEGAL RIGHTS, AND YOU MAY ALSO HAVE OTHER RIGHTS WHICH MAY VARY FROM JURISDICTION TO JURISDICTION.

5. Notwithstanding any terms of this Limited Warranty to the contrary, no warranty coverage shall be provided for any Product purchased from, through or with the assistance or involvement of any Internet auction web site.

*\*Activation Date is the first day the batteries are installed and is automatically set and saved by the camera.*

## **Free Extended Warranty**

---

You can extend this warranty to 2 years by registering your camera online within 14 days of purchase. Visit [Cuddeback.com](http://Cuddeback.com) and click **REGISTER** at the top of the page.

***You must register your camera to extend your warranty. We will only honor requests for extended warranty for cameras that have been registered.***

## **Approvals: FCC, CE, ROHS**

This device complies with Part 15 of the FCC Rules. Operation is subject to the following two conditions: (1) this device may not cause harmful interference, and (2) this device must accept any interference received, including interference that may cause undesired operation.

Please note that changes or modifications not expressly approved by the party responsible for compliance could void the user's authority to operate the equipment. NOTE: This equipment has been tested and found to comply with the limits for a Class B digital device, pursuant to Part 15 of the FCC Rules. These limits are designed to provide reasonable protection against harmful interference in a residential installation. This equipment generates, uses and can radiate radio frequency energy and, if not installed and used in accordance with the instructions, may cause harmful interference to radio communications. However, there is no guarantee that interference will not occur in a particular installation. If this equipment does cause harmful interference to radio or television reception, which can be determined by turning the equipment off and on, the user is encouraged to try

to correct the interference by one or more of the following measures:

- Reorient or relocate the receiving antenna.
- Increase the separation between the equipment and receiver.
- Connect the equipment into an outlet on a circuit different from that to which the receiver is connected.
- Consult the dealer or an experienced radio/TV technician for help.



***[www.cuddeback.com](http://www.cuddeback.com)***

Non Typical, Inc. PO Box 10447 Green Bay, WI 54307

(920) 347-3810